

INTERIOR ELEVATION

SCALE: NTS

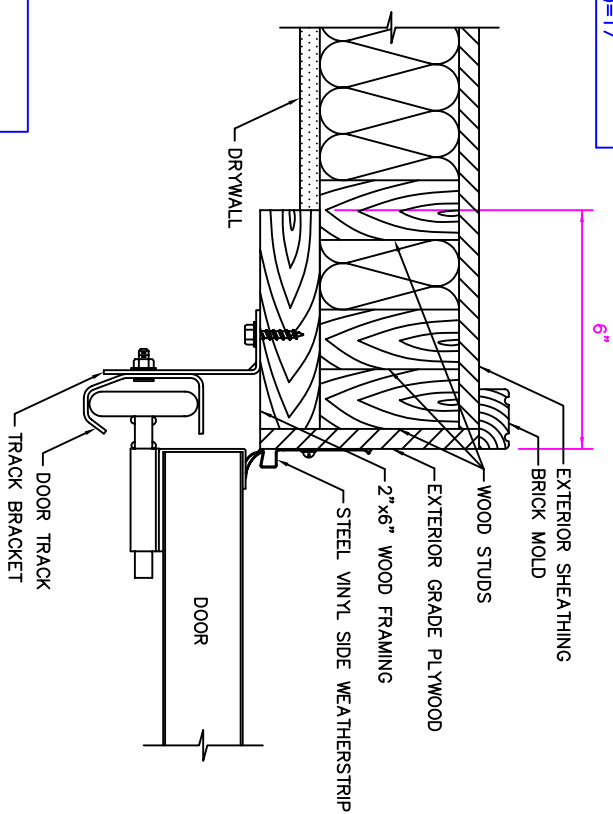
NOTE: FOR DOOR OPENINGS WITH LESS THAN REQUIRED HEADROOM CONSULT YOUR RETAILER FOR LOW HEADROOM HARDWARE

MIN. HEADROOM REQUIRED
DOORS UP TO 20" WIDE AND 16' HIGH
2" TRACK (12" RADIUS)=14 1/4"
(SPECIAL ORDER)
2" TRACK (15" RADIUS)=15 3/4"
3" TRACK (15" RADIUS)=17"

NOTE:
- WOOD FRAMING TO BE INSTALLED PLUMB, SQUARE AND SECURELY ANCHORED TO THE BUILDING STRUCTURE.
- ALL CLEARANCES AS SIDEROOM, HEADROOM AND DEPTH INTO ROOM TO BE UNOBSTRUCTED.

FILE: WFSL.COM

COMMERCIAL WOOD FRAMING DETAILS STANDARD LIFT TRACK



SUGGESTED FRAMING METHOD

SCALE: NTS