

NOTE: FOR DOOR OPENINGS WITH LESS THAN REQUIRED HEADROOM CONSULT YOUR RETAILER FOR LOW HEADROOM HARDWARE

NOTE: NO. OF SPRING MOUNTING PADS VARY WITH DOOR SIZE, CONSULT YOUR RETAILER FOR DETAILS.

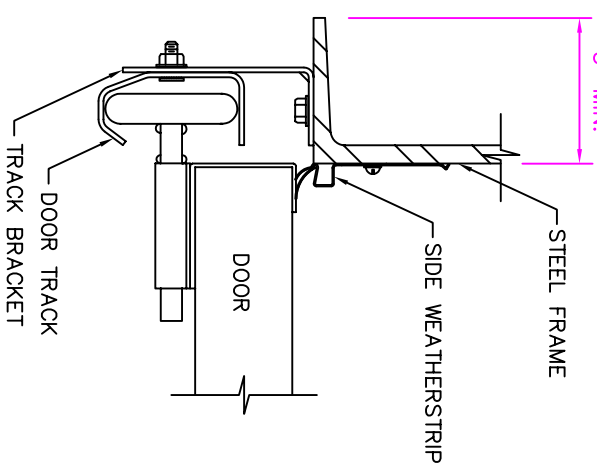
MIN. HEADROOM REQUIRED
 DOORS UP TO 20' WIDE AND 16' HIGH
 2" TRACK (12" RADIUS)=14 1/4"
 (SPECIAL ORDER)
 2" TRACK (15" RADIUS)=15 3/4"
 3" TRACK (15" RADIUS)=17"

INTERIOR ELEVATION
 SCALE: NTS

NOTE:
 —ALL STEEL FRAMES, JAMB EXTENSIONS, AND PADS TO BE SUPPLIED, INSTALLED PLUMB, SQUARE, AND PROPERLY SUPPORTED BY OTHERS. ALL INSIDE FACES MUST BE FLUSH AND BOLT HEADS COUNTERSUNK.
 —ALL TORSION SPRING MOUNTING PADS TO BE 1/4" PLATE OR CHANNEL, REINFORCING BACK TO BUILDING STRUCTURE.
 —ALL CLEARANCES AS SIDEROOM, HEADROOM, AND DEPTH TO BE UNOBSTRUCTED.

FILE: SFSL.COM

COMMERCIAL STEEL FRAMING DETAILS STANDARD LIFT TRACK



SUGGESTED FRAMING METHOD
 SCALE: NTS